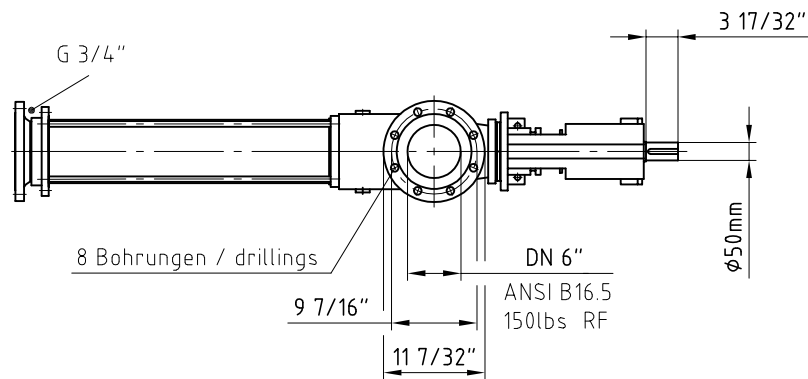
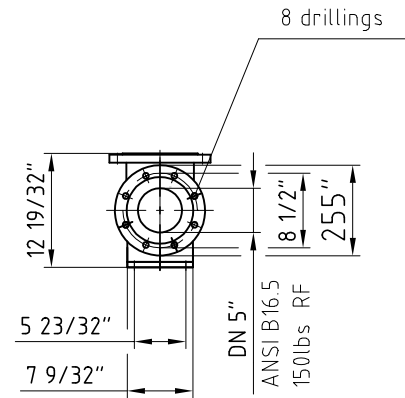
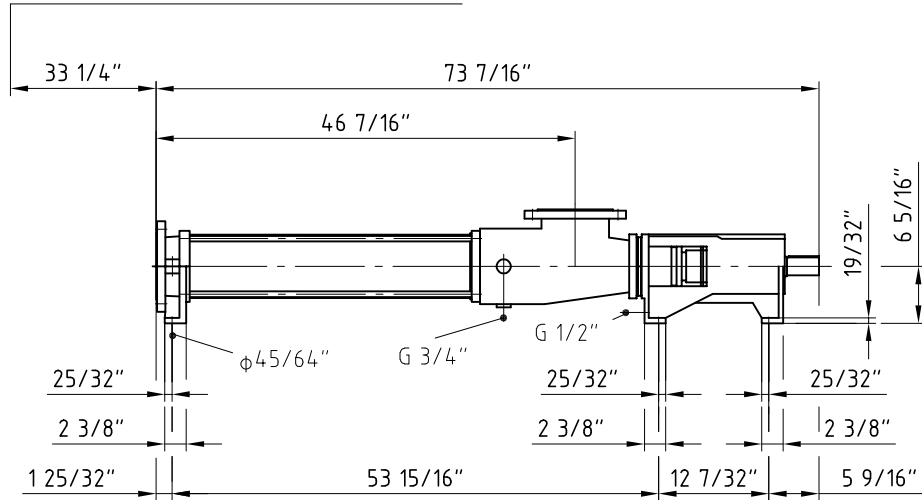
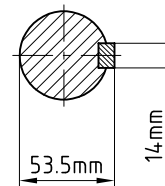


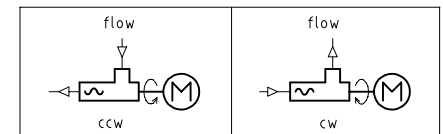
space allowing disassembly of the stator



fitting key DIN 6885



* design see pump data sheet



1 pump: 35-12NS and 70-6LNS and 110-6LTNS

8001

Quant. Denomination

Item

Material

Note

Weight / kg

1994

Name

Day

Scale

Weight

Denomination

seepex.com

seepex, Inc.
511 Speedway Drive
Enon, OH 45323
www.seepex.com

Drawn

wfe

09.06

© 1:20

160 kg

dimensional drawing

Checked

EDP-No.

L:\LFDZCHNG.100\10010.DWG

Drawing-no.

260-C01/0350-C-001A4